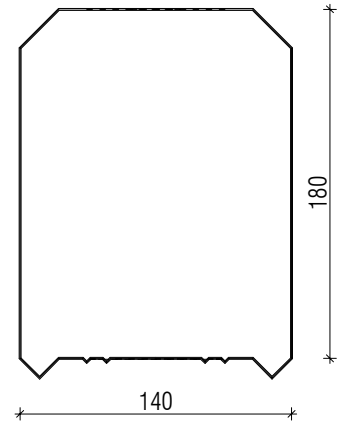
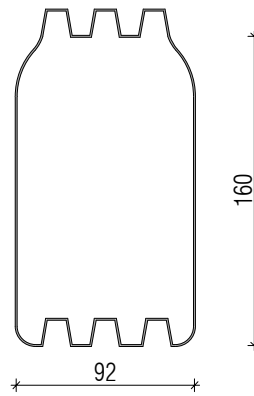
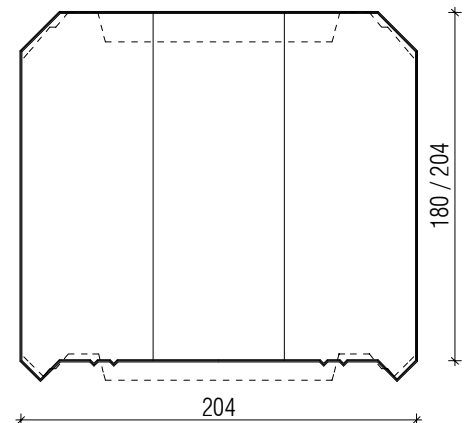
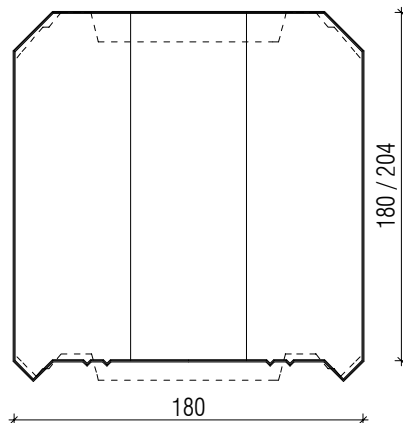
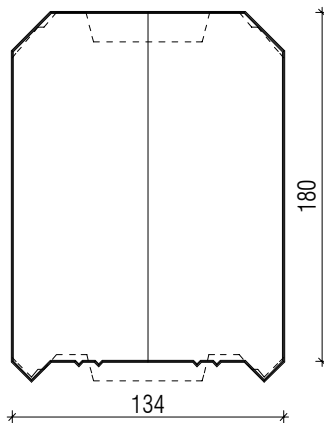
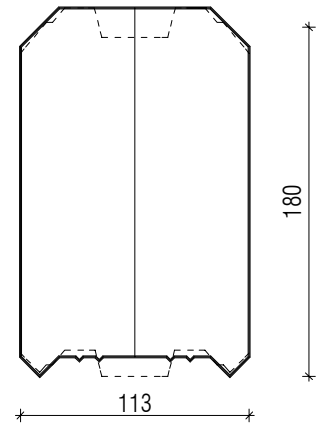
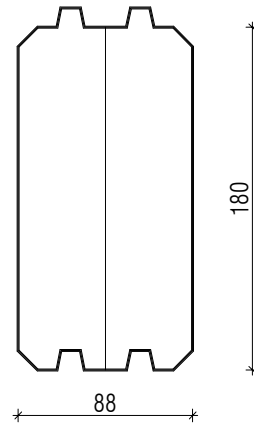


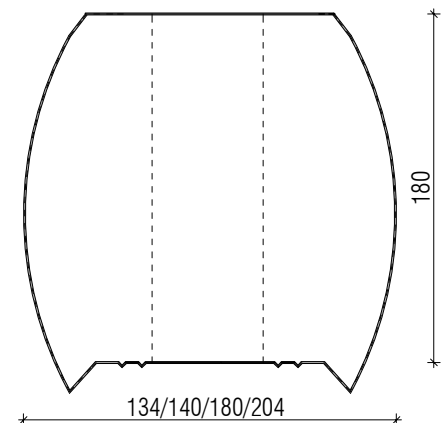
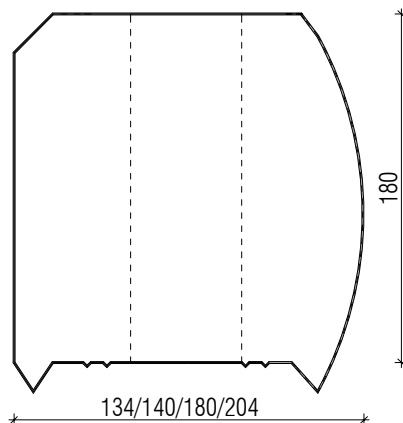
Massive logs



Laminated logs



Options:
D - profile & Oval profile



Material of logs - Pine or Spruce.
 Massive (humidity $17 \pm 2\%$) or Laminated (humidity $14 \pm 2\%$).
 Grooved, pivoted, marked.
 Means for installment - dowel rods, T - posts for openings, tightening bolts for external corners, holes for electrical wires drills etc. - added.